

Gate valve lockout 480 - 481 - 482 - 483 - 484 Series

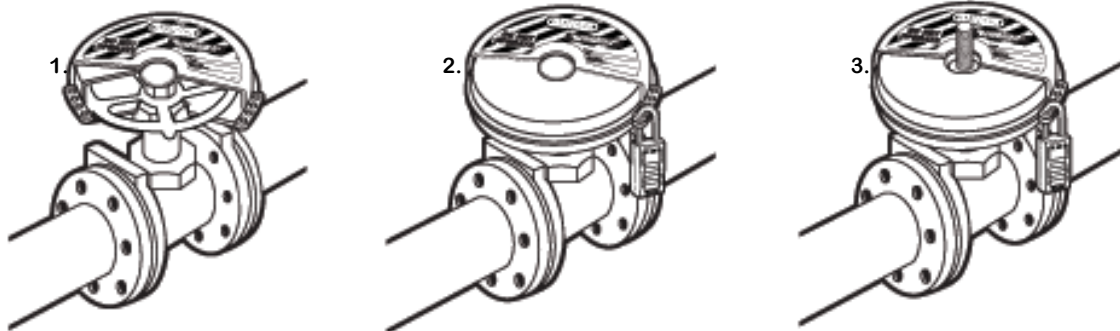
Gate valve lockout cover surrounds the valve operating handle to prevent accidental valve opening.

- ✓ Suitable for confined spaces and insulated pipes
- ✓ 5 different valve lockout sizes for better fit
- ✓ "Knockout" centre disc enables cover to take a rising gate valve
- ✓ Each size nests into the next largest size to save space for easy storage
- ✓ Covers can be locked with up to four lockout padlocks, or more when used with a lockout hasp
- ✓ Permanent "DANGER DO NOT OPERATE" labels can be used to identify worker, shift or department.



Technical specifications

- Composite body
- Withstands temperatures from -57°C to 177°C
- Thermal shock resistant
- Chemical resistant
- Corrosion resistant
- UV stable



480	fits valve diameters	from 15 to 76mm
481	fits valve diameters	from 38 to 127mm
482	fits valve diameters	from 64 to 170mm
483	fits valve diameters	from 90 to 254mm
484	fits valve diameters	from 95 to 355mm